

**archlum**  
The right light for every space



**MEIRA**

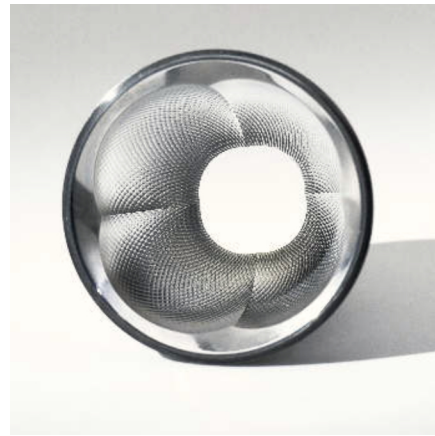
State-of-the-art Downlight

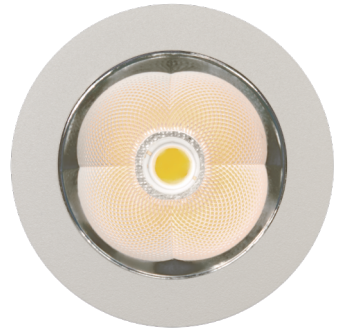
## Archlum MEIRA

The MEIRA family are made with unique, state-of-the-art reflectors, designed by Bartenbach, with the highest optical standard, made in Austria.

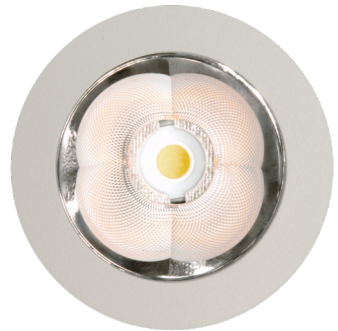
MEIRA reflectors are optimised for the best cut-off, with their specific height ratio. The small difference between the main (beam) angle and spilled light (field) angle brings sharp cut-off and higher visual comfort compared to standard reflector solutions. It also contributes to a strong contrast and dramatic lighting design where it is needed.

Their micro facet design allows perfect control of the light emitted by the LED with the best light uniformity and no colour shift over angle. Their small diameter creates a discreet design using the latest COB high-density technology.





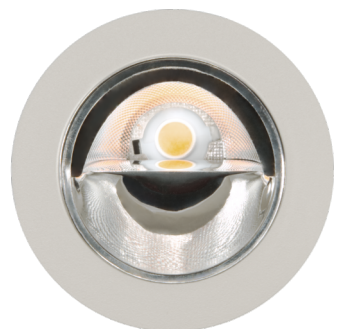
30° (FWHM)



50° (FWHM)

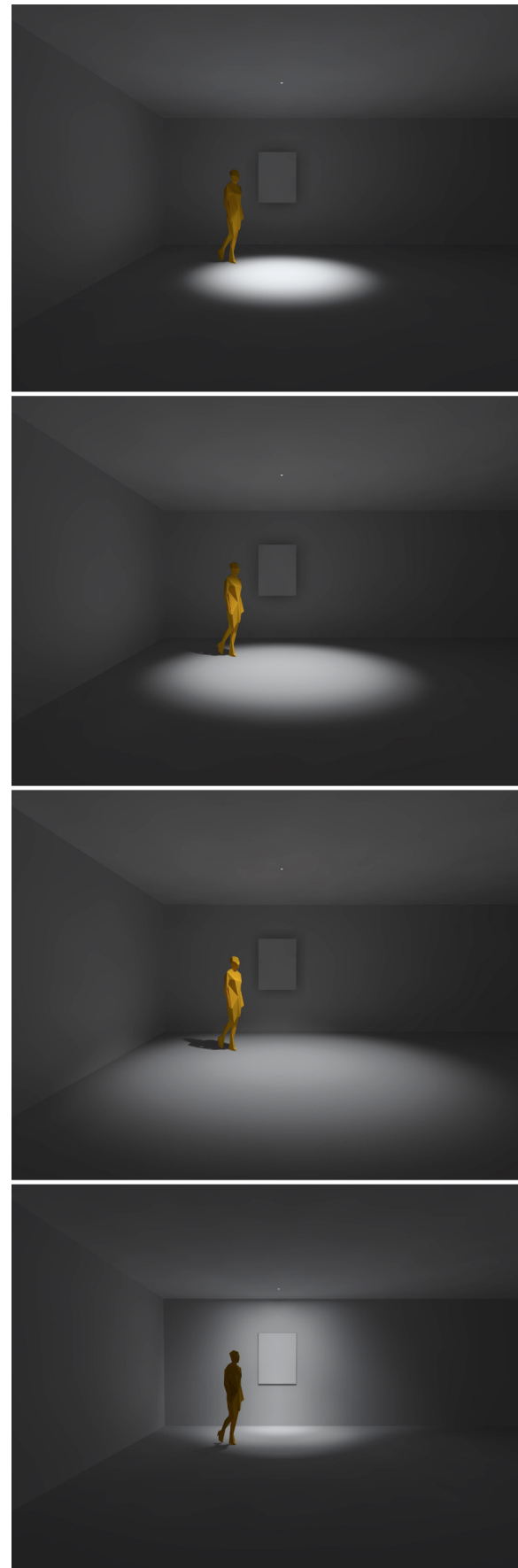


70° (FWHM)



Asymmetric  
/wall washer

(FWHM - Beam angle at half value of maximum light intensity)



### Brilliant Light

High temperature polycarbonate with pure aluminium PVD reflective coating is translating high efficiency to brilliant light.

### Rich Design

The robust housing made of aluminium with fine, structured coating and springs made of stainless steel that has a high quality and rich appearance.

### Longevity

The large heat sink is designed to promote air flow, allowing proper cooling and assures an extended lifetime of more than 100.000 hours.

### Remote Control

A choice of high quality control options allows for wireless communication through Bluetooth. The user friendly open source app is available on iPhone and Android.



To be used through APP available on Apple Store and Play Store for iOS and Android.  
Utilizzabile tramite APP disponibile su Apple Store e Play Store per sistemi iOS e Android.

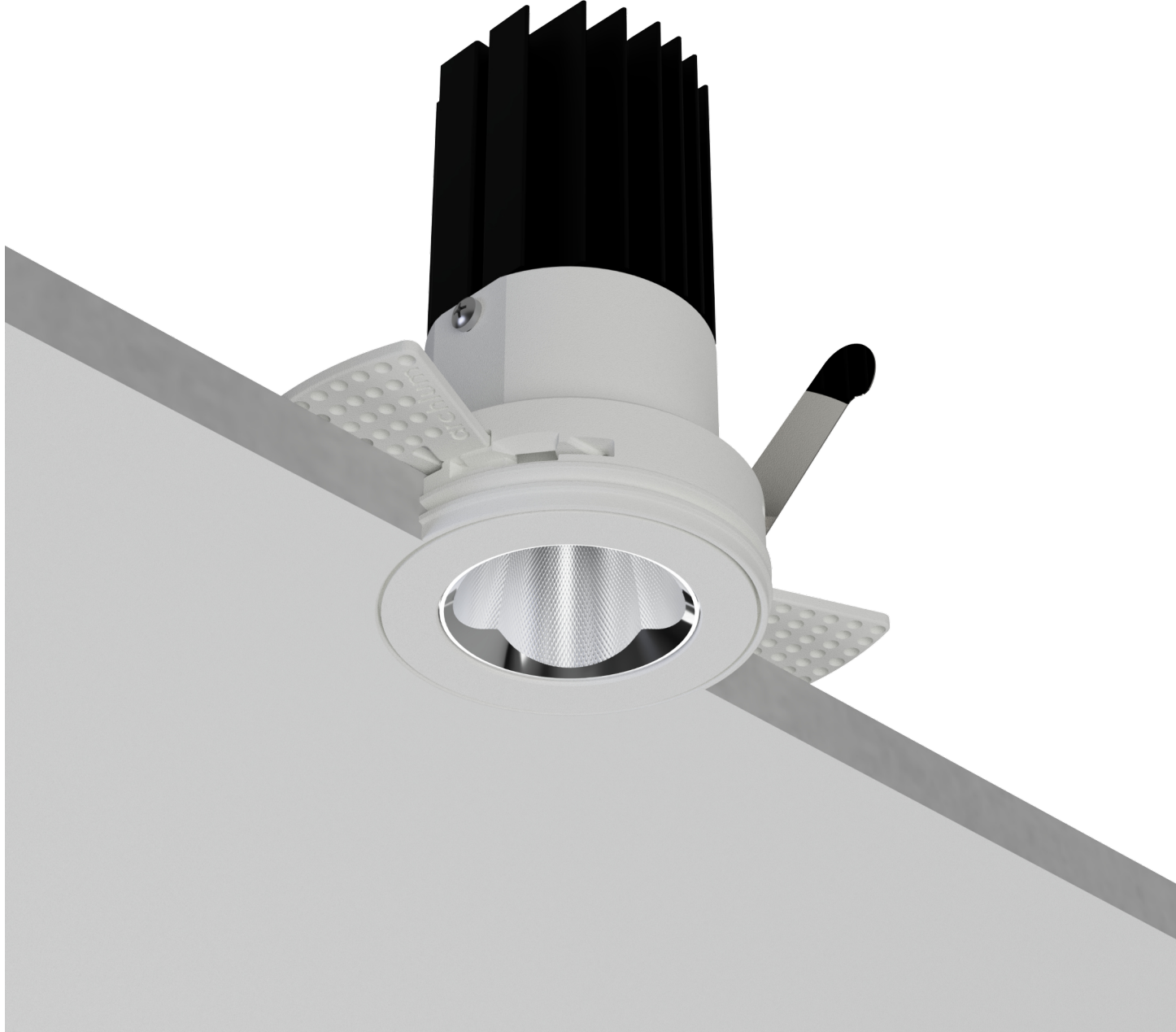




### Trimless Installation

For flush mounting, without a visible frame, the trimless frame can be plastered into the ceiling and painted over.

By clipping the screw pad to a specific place, the frame can be adapted to various thicknesses of false ceiling.



Thanks to the flexibility of optical solutions, Archlum's MEIRA can adapt to a range of ceiling heights and professional lighting applications.





## MEIRA 30



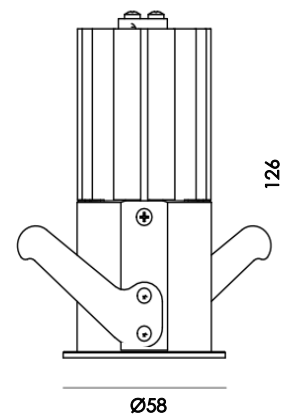
### Colour Rendering Index

CRI >90

### System Power

10 W

14 W



30° Beam

## MEIRA 50



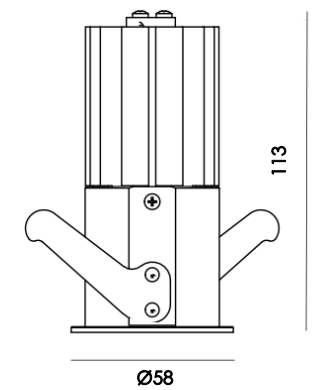
### Colour Rendering Index

CRI >90

### System Power

10 W

14 W



50° Beam



| Catalogue ID           | CCT  | UGR | Beam | Light output | Power | Dimensions |
|------------------------|------|-----|------|--------------|-------|------------|
| ARCH-MEIRA-T-30-927-10 | 2700 | <16 | 30°  | 810 lm       | 10 W  | ø58x126    |
| ARCH-MEIRA-T-30-930-10 | 3000 | <16 | 30°  | 870 lm       | 10 W  | ø58x126    |
| ARCH-MEIRA-T-30-940-10 | 4000 | <16 | 30°  | 930 lm       | 10 W  | ø58x126    |
| ARCH-MEIRA-T-30-927-14 | 2700 | <16 | 30°  | 1080 lm      | 14 W  | ø58x126    |
| ARCH-MEIRA-T-30-930-14 | 3000 | <16 | 30°  | 1150 lm      | 14 W  | ø58x126    |
| ARCH-MEIRA-T-30-940-14 | 4000 | <16 | 30°  | 1230 lm      | 14 W  | ø58x126    |



| Catalogue ID           | CCT  | UGR | Beam | Light output | Power | Dimensions |
|------------------------|------|-----|------|--------------|-------|------------|
| ARCH-MEIRA-T-50-927-10 | 2700 | <16 | 50°  | 880 lm       | 10 W  | ø58x113    |
| ARCH-MEIRA-T-50-930-10 | 3000 | <16 | 50°  | 950 lm       | 10 W  | ø58x113    |
| ARCH-MEIRA-T-50-940-10 | 4000 | <16 | 50°  | 1020 lm      | 10 W  | ø58x113    |
| ARCH-MEIRA-T-50-927-14 | 2700 | <16 | 50°  | 1170 lm      | 14 W  | ø58x113    |
| ARCH-MEIRA-T-50-930-14 | 3000 | <16 | 50°  | 1260 lm      | 14 W  | ø58x113    |
| ARCH-MEIRA-T-50-940-14 | 4000 | <16 | 50°  | 1350 lm      | 14 W  | ø58x113    |

## MEIRA 70



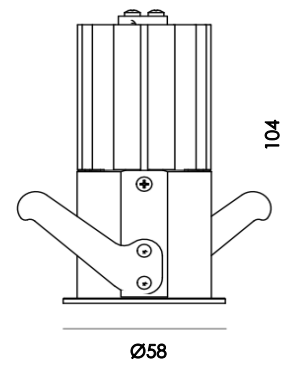
### Colour Rendering Index

CRI >90

### System Power

10 W

14 W



70° Beam

## MEIRA WW



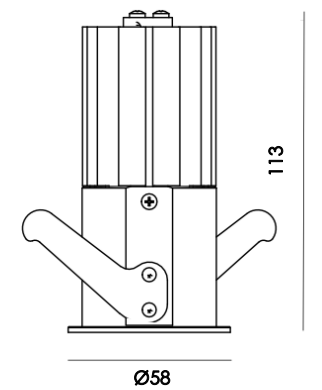
### Colour Rendering Index

CRI >90

### System Power

10 W

14 W



Asymmetric/wall washer



| Catalogue ID           | CCT  | UGR | Beam | Light output | Power | Dimensions |
|------------------------|------|-----|------|--------------|-------|------------|
| ARCH-MEIRA-T-70-927-10 | 2700 | <25 | 70°  | 930 lm       | 10 W  | ø58x104    |
| ARCH-MEIRA-T-70-930-10 | 3000 | <25 | 70°  | 1000 lm      | 10 W  | ø58x104    |
| ARCH-MEIRA-T-70-940-10 | 4000 | <25 | 70°  | 1070 lm      | 10 W  | ø58x104    |
| ARCH-MEIRA-T-70-927-14 | 2700 | <28 | 70°  | 1250 lm      | 14 W  | ø58x104    |
| ARCH-MEIRA-T-70-930-14 | 3000 | <28 | 70°  | 1320 lm      | 14 W  | ø58x104    |
| ARCH-MEIRA-T-70-940-14 | 4000 | <28 | 70°  | 1420 lm      | 14 W  | ø58x104    |



| Catalogue ID           | CCT  | Beam | Light output | Power | Dimensions |
|------------------------|------|------|--------------|-------|------------|
| ARCH-MEIRA-T-WW-927-10 | 2700 | asym | 850 lm       | 10 W  | ø58x113    |
| ARCH-MEIRA-T-WW-930-10 | 3000 | asym | 920 lm       | 10 W  | ø58x113    |
| ARCH-MEIRA-T-WW-940-10 | 4000 | asym | 990 lm       | 10 W  | ø58x113    |
| ARCH-MEIRA-T-WW-927-14 | 2700 | asym | 1150 lm      | 14 W  | ø58x113    |
| ARCH-MEIRA-T-WW-930-14 | 3000 | asym | 1220 lm      | 14 W  | ø58x113    |
| ARCH-MEIRA-T-WW-940-14 | 4000 | asym | 1300 lm      | 14 W  | ø58x113    |



# archlum

The right light for every space

[www.archlum.com](http://www.archlum.com)